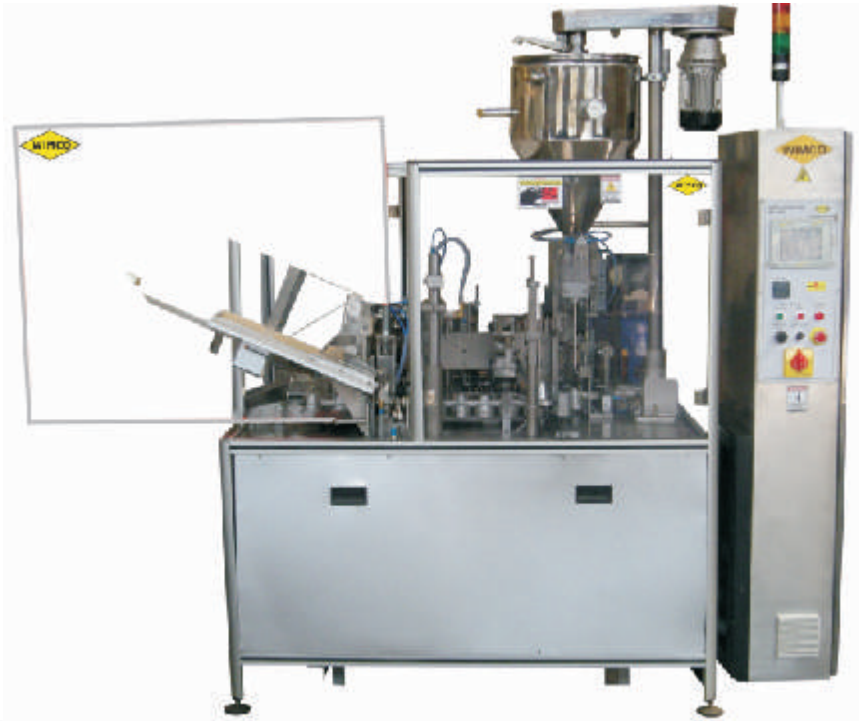


Proven Performer ! SINGLE HEAD TUBE FILLING AND CLOSING MACHINE



Features :

Optimum speed 60 Tubes/Minute.

Filling accuracy 1% of fill weight.

Proven high quality Hot Air sealing system for plastic & laminated tubes.

Easy & fast changeovers.

High level of adaptability for various retro kits for different applications.

A combination sealer for both metal tube folding, laminated & plastic tube sealing.

TECHNICAL SPECIFICATIONS :

Filling range - 1cc to 250cc
(With change of pump inserts)

Tube Dia upto 45mm

Tube Length upto 200mm

POWER CONSUMPTION :

Max. - 4.25 KW

Min. - 1.5 KW

AIR CONSUMPTION :

Max. - 325 LPM @ 6 kg / cm²

Min. - 100 LPM @ 6 kg / cm²

CHILLED WATER CONSUMPTION :

4 LPM @ 8 -10 degree Celsius
in case of hot air sealing system



STANDARD FEATURES WITH MACHINE

Automatic tube infeed
Automatic tube orientation
Tail-free filling system
Smooth operation by using Ferguson Drive
Automatic coding on the tubes
Machine clad with SS 304
Inbuilt centralised lubrication
No tube, No fill device
Variable frequency drive

TUBE CLOSING STATION

Option 1 : Metal folding & Crimping station.
Option 2 : Lamisealer for laminated or plastic tubes.
Option 3 : A combination sealer for both metal tube folding, laminated & plastic tube sealing.

OPTIONAL FEATURES WITH MACHINE

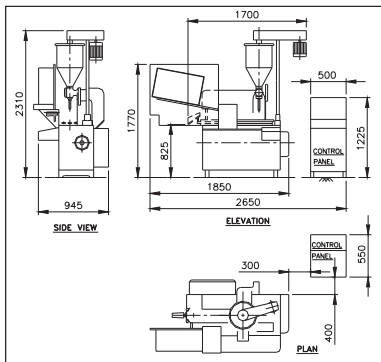
Tube closing / sealing system
Automatic tube cleaning system
Cap tightening system
Tubular cover Aluminium or SS 304 with Acrylic or Polycarbonate housing
Jacketed Hopper
Jacketed pump housing
Product Stirring Device
Interconnections with cartoning machine
Electronic product counter & time totaliser
Reverse / Saddle folding on Aluminium Tube
Flame proofing
Multicolour filling system
Designer sealing patterns
GMP Version
PLC based machine operations

MACHINE WEIGHT

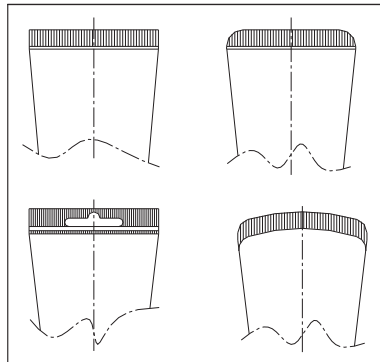
GAB Tubefiller - 1400 KGS

LS 60 Lamisealer - 400 KGS

MACHINE LAYOUT



SEALING PATTERNS



The above specifications are subject to change without any prior notice

Wimco Limited
Engineering Division
Kalyan - Badlapur Road
Ambarnath - 421 505
Dist. Thane (Maharashtra)
India.

Phone : Office - 91-251-268 3982 / 268 1586
Board No - 91-251-268 2281 Ext - 239 / 240

Fax - 91-251-268 2665
Fax - 91-251-268 1874
Email : engg@wimco.in

Visit us on : www.wimcoengineering.com